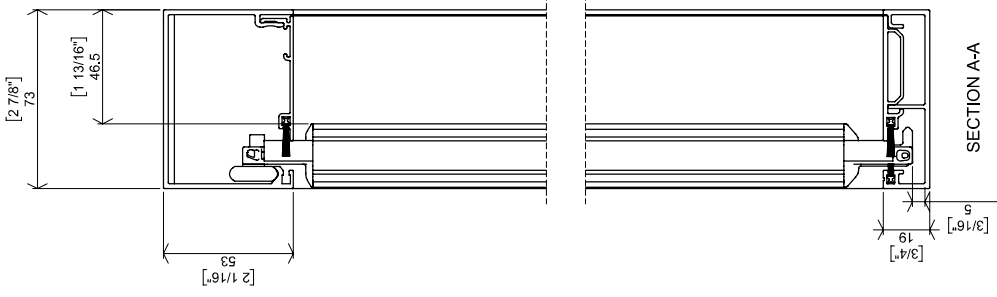
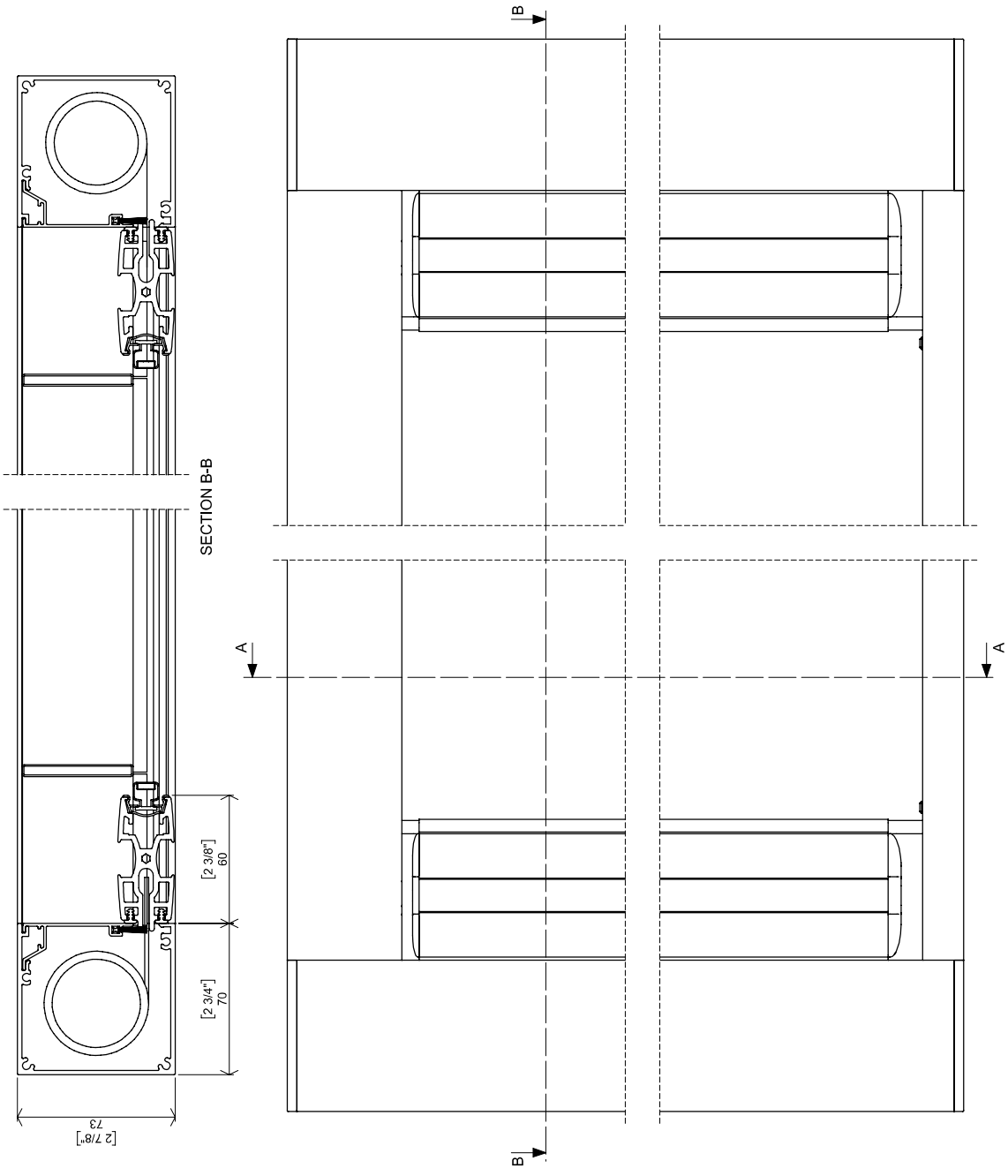


SECTION A-A

S2 Gen2 Product detail - Double screen NAM 25mm Sill

Date	18/02/2020	Scale	1:2	Dwg no	S2-012
Revision	B	Page size	Tablet	Pages	1 of 1

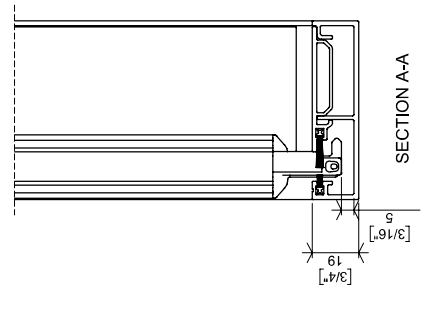
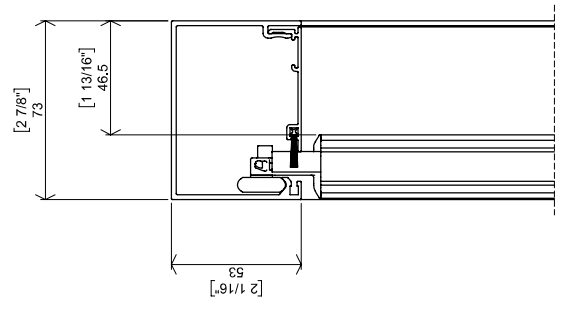
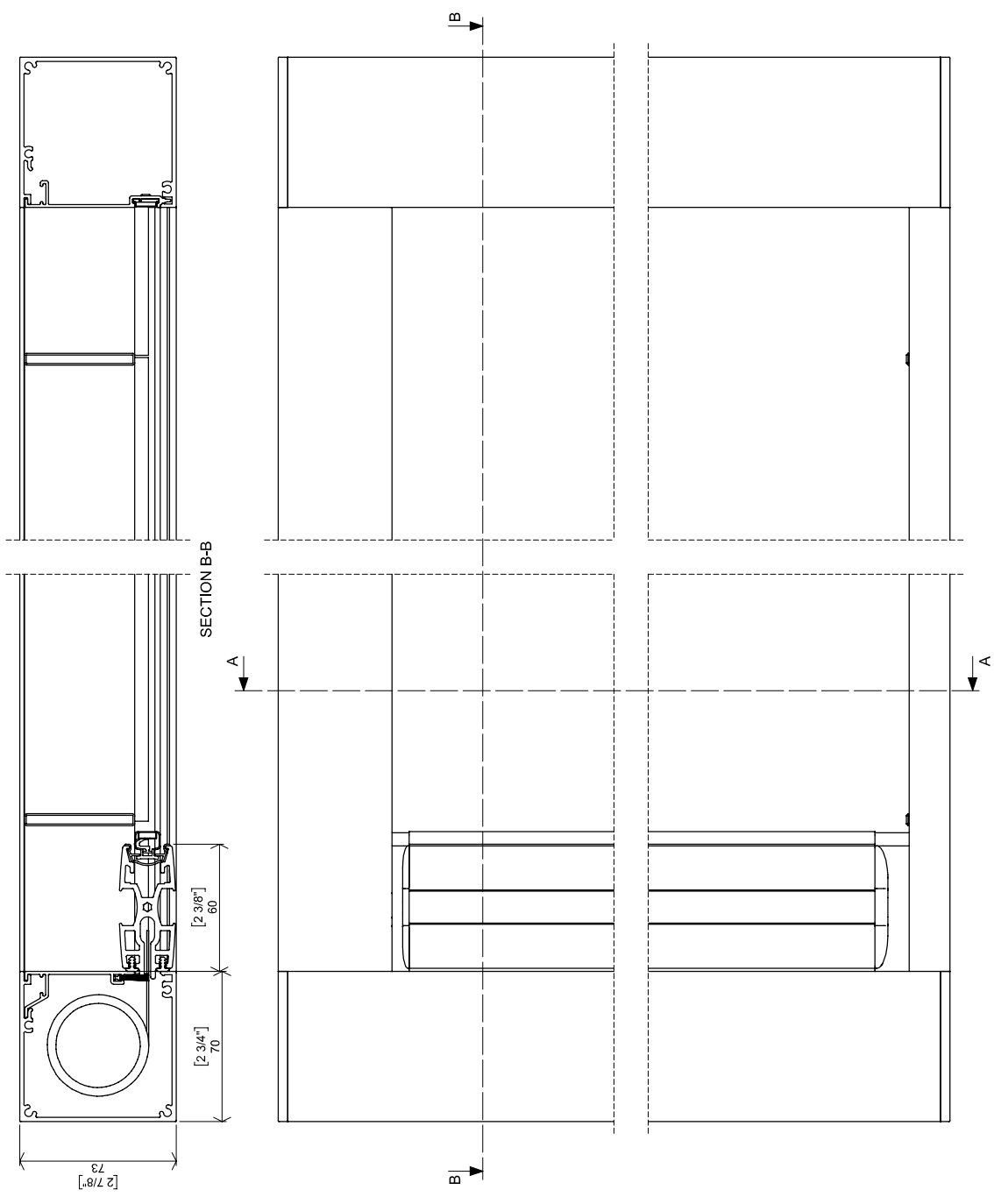


Date	19/Nov/2020	Scale	1:2	Dwg no	SC-016
Revision	B	Page size	Tablet	Pages	1 of 1

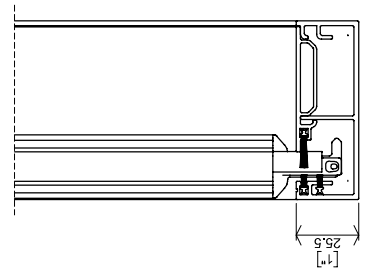
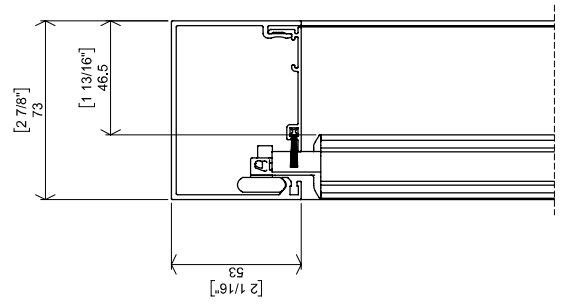
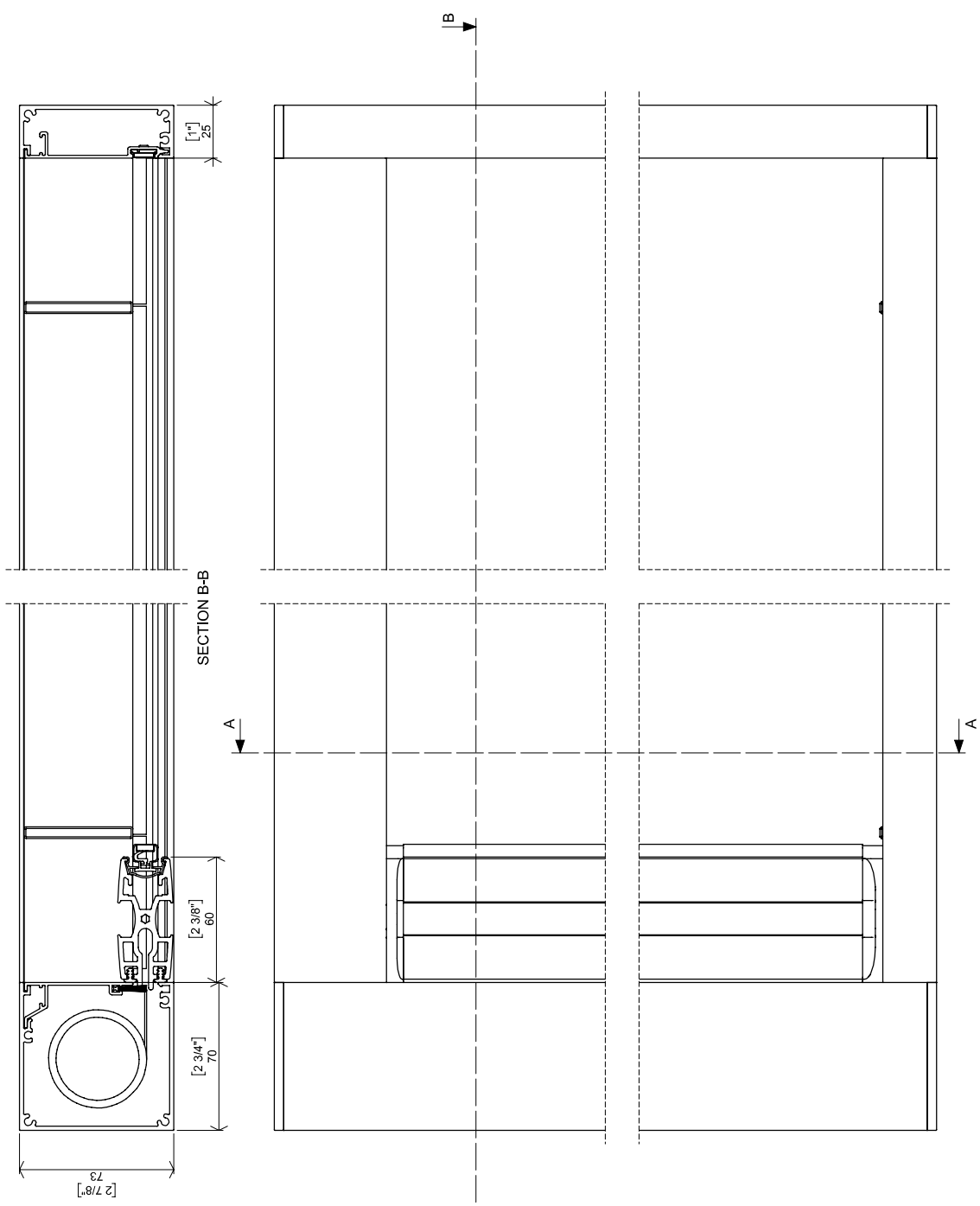
centor

S2 Gen2 Product detail - Double screen NAM 19mm Sill

This document is copyright and remains the property of Centor

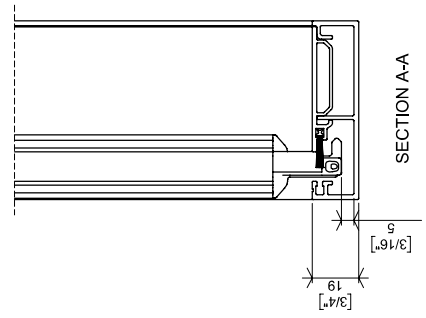
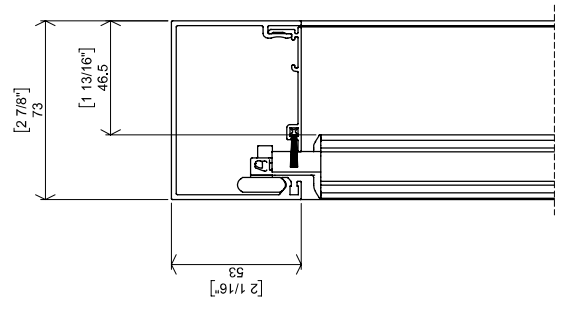
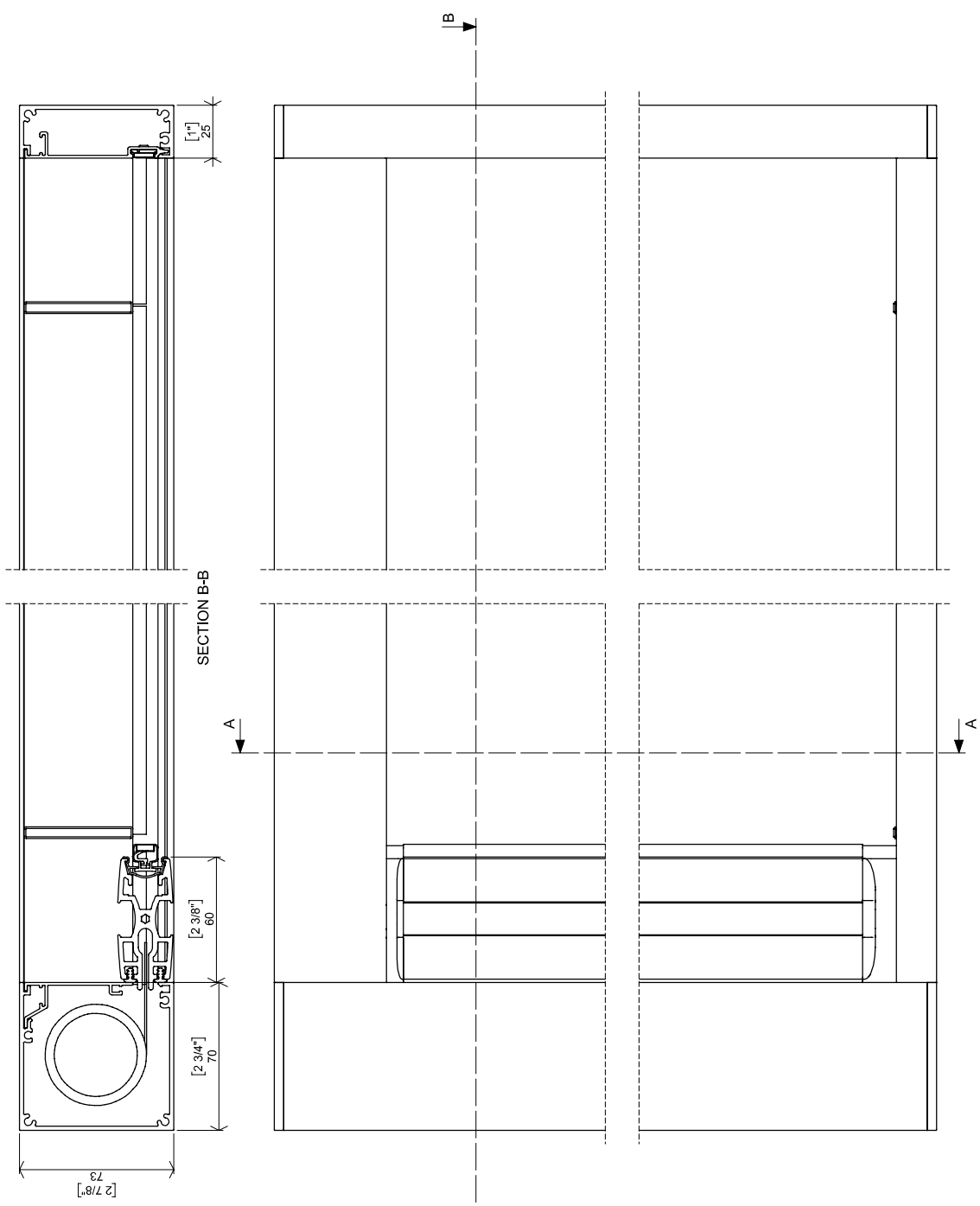


Date	19/Nov/2020	Scale	1:2	Dwg no	S2-018
Revision	B	Page size	Tabloid	Pages	1 of 1



SECTION A-A

Date	11/29/2020	Scale	1:2	Dwg no	S2-025
Revision	A	Page size	Tablet	Pages	1 of 1



Date	19/01/2020	Scale	1:2	Dwg no	S2-027
Revision	B	Page size	Tabloid	Pages	1 of 1

S2 Gen2 Product detail - Single screen NAM 19mm Sill, 25mm sill